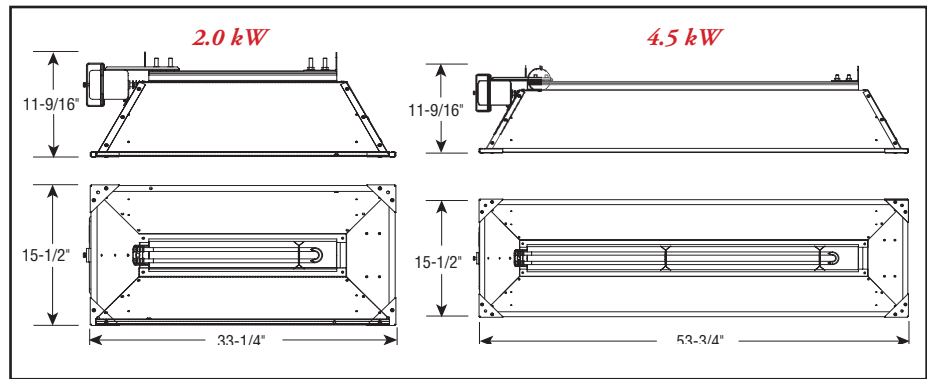


## ChromaStar™

### Infra-Red Radiant Heaters

(cont'd.)

#### Fixed Overhead Radiant Heaters 2.0 to 4.5 kW Dimensions U.L Listed & CSA Certified for Fixed Installations

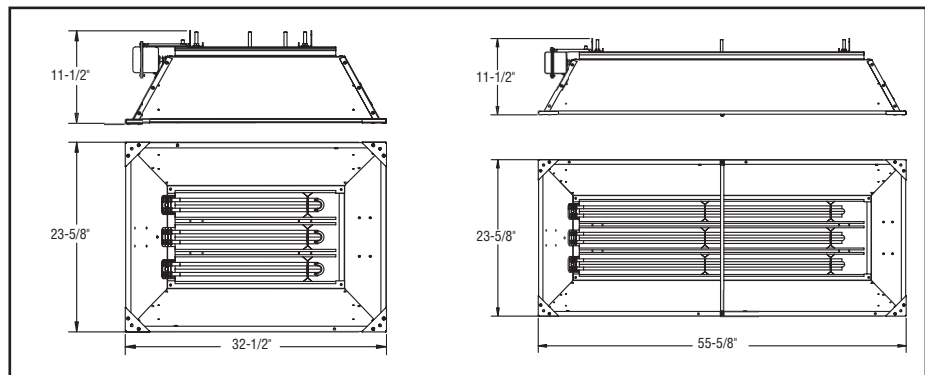


#### Specifications and Ordering Information

Electrical					Dimensions (in.)			Ordering			
kW	Volts	Phase	Amps	Btuh	Height	Base Width	Base Depth	Model	Stock	PCN	Wt. (Lbs.)
2	208	1	9.6	6,824	27-11/16	9-7/8	6-13/16	STAR-02A-81-F	S	340558	14
2	240	1	8.3	6,824	27-11/16	9-7/8	6-13/16	STAR-02A-21-F	S	340566	14
2	277	1	7.2	6,824	27-11/16	9-7/8	6-13/16	STAR-02A-71-F	NS	340574	14
2	480	1	4.2	6,824	27-11/16	9-7/8	6-13/16	STAR-02A-41-F	S	340582	14
2	600	1	3.3	6,824	27-11/16	9-7/8	6-13/16	STAR-02A-61-F	NS	340590	14
4.5	208	1	21.6	15,354	48-3/16	9-7/8	6-13/16	STAR-05A-81-F	NS	340435	23
4.5	240	1	18.8	15,354	48-3/16	9-7/8	6-13/16	STAR-05A-21-F	NS	340443	23
4.2	277	1	16.2	15,354	48-3/16	9-7/8	6-13/16	STAR-05A-71-F	NS	340451	23
4.5	480	1	9.4	15,354	48-3/16	9-7/8	6-13/16	STAR-05A-41-F	S	340460	23
4.5	600	1	7.5	15,354	48-3/16	9-7/8	6-13/16	STAR-05A-61-F	NS	340478	23

Stock Status: S = stock NS = non-stock  
To Order — Specify model, PCN, kW, volts, phase and quantity.

#### Fixed Overhead Radiant Heaters 6.0 to 13.5 kW Dimensions



#### Specifications and Ordering Information

Electrical					Dimensions (in.)			Ordering			
kW	Volts	Phase	Amps	Btuh	Height	Base Width	Base Depth	Model	Stock	PCN	Wt. (Lbs.)
6	208	3	16.7	20,472	32-1/2	23-5/8	11-1/2	STAR-06A-83-F	NS	340339	26
6	240	3	14.4	20,472	32-1/2	23-5/8	11-1/2	STAR-06A-23-F	S	340347	26
6	277	1	21.7	20,472	32-1/2	23-5/8	11-1/2	STAR-06A-71-F	NS	340355	26
6	480	3	7.2	20,472	32-1/2	23-5/8	11-1/2	STAR-06A-43-F	S	340363	26
6	600	3	5.8	20,472	32-1/2	23-5/8	11-1/2	STAR-06A-63-F	NS	340371	26
13.5	208	3	37.5	46,062	55-5/8	23-5/8	11-1/2	STAR-14A-83-F	NS	340232	44
13.5	240	3	32.5	46,062	55-5/8	23-5/8	11-1/2	STAR-14A-23-F	S	340240	44
13.5	277	1	48.7	46,062	55-5/8	23-5/8	11-1/2	STAR-14A-71-F	NS	340259	44
13.5	480	3	16.3	46,062	55-5/8	23-5/8	11-1/2	STAR-14A-43-F	S	340267	44
13.5	600	3	13	46,062	55-5/8	23-5/8	11-1/2	STAR-14A-63-F	NS	340275	44

Stock Status: S = stock NS = non-stock  
To Order — Specify model, PCN, kW, volts, phase and quantity.